

BRACKETS & SUPPORTS

Unlined Clips



Code	Range
UL001	15 - 19mm
UL002	20 - 25mm
UL003	26 - 30mm
UL004	32 - 36mm
UL005	38 - 43mm
UL006	47 - 51mm
UL007	60 - 64mm
UL008	64 - 68mm
UL009	67 - 72mm
UL010	75 - 80mm
UL011	81 - 86mm
UL012	87 - 92mm
UL013	90 - 95mm
UL014	99 - 105mm
UL015	107 - 112mm
UL016	113 - 118mm
UL017	116 - 121mm
UL018	125 - 130mm
UL019	132 - 137mm
UL020	138 - 142mm
UL021	148 - 152mm
UL022	159 - 168mm
UL023	168 - 175mm
UL024	176 - 185mm
UL025	184 - 189mm
UL026	199 - 212mm
UL027	215 - 226mm
UL028	224 - 235mm
UL029	249 - 254mm

Backplates - Chrome

Code	Description
CC1004	M10 Female
CC1005	M10 Male



Backplates - Galvanised

Code	Size
MR10GBP	M10
MR12GBP	M12



Backplates - Self Colour

Code	Size
MR10MBP	M10
MR12MBP	M12



Rubber Lined Clips



Code	Size
RL001	15mm
RL002	22mm
RL003	28mm
RL004	35mm
RL005	42mm
RL006	48mm
RL007	54mm
RL008	60mm
RL009	67mm
RL010	76mm
RL011	89mm
RL012	114mm
RL013	108mm
RL014	133mm
RL015	139mm
RL016	159mm
RL017	168mm
RL018	168 - 175mm
RL019	176 - 185mm
RL020	199 - 212mm
RL021	215 - 225mm
RL022	249 - 254mm

Backplates - Brass

Code	Description
MRBFBP	M10 Female
MRBMBP	M10 Male



Munsen Rings - Chrome

Code	Dimensions
CC1502M	M10 x 15mm
CC2202M	M10 x 22mm
CC2802M	M10 x 28mm
CC3502M	M10 x 35mm
CC4202M	M10 x 42mm
CC5402M	M10 x 54mm
CC6702M	M10 x 67mm
CC7602M	M10 x 76mm
CC9802M	M10 x 108mm



Munsen Rings - Galvanised

Code	Dimensions
MR15GSR	M10 x 15mm
MR20GSR	M10 x 20mm
MR25GSR	M10 x 25mm
MR32GSR	M10 x 32mm
MR40GSR	M10 x 40mm
MR50GSR	M10 x 50mm
MR65GSR	M12 x 65mm
MR80GSR	M12 x 80mm
MR100GSR	M12 x 100mm
MR125GSR	M12 x 125mm
MR150GSR	M12 x 150mm



Double Munsen Ring - Galvanised

Code	Dimensions
MR15GDR	M10 x 15mm
MR20GDR	M10 x 20mm
MR25GDR	M10 x 25mm
MR32GDR	M10 x 32mm
MR40GDR	M10 x 40mm
MR50GDR	M10 x 50mm
MR65GDR	M12 x 65mm
MR80GDR	M12 x 80mm
MR100GDR	M12 x 100mm
MR125GDR	M12 x 125mm
MR150GDR	M12 x 150mm



Munsen Rings - Self Colour

Code	Dimensions
MR15MSR	M10 x 15mm
MR20MSR	M10 x 20mm
MR25MSR	M10 x 25mm
MR32MSR	M10 x 32mm
MR40MSR	M10 x 40mm
MR50MSR	M10 x 50mm
MR65MSR	M12 x 65mm
MR80MSR	M12 x 80mm
MR100MSR	M12 x 100mm
MR125MSR	M12 x 125mm
MR150MSR	M12 x 150mm



Double Munsen Ring - Self Colour

Code	Dimensions
MR15GSR	M10 x 15mm
MR20GSR	M10 x 20mm
MR25GSR	M10 x 25mm
MR32GSR	M10 x 32mm
MR40GSR	M10 x 40mm
MR50GSR	M10 x 50mm
MR65GSR	M12 x 65mm
MR80GSR	M12 x 80mm
MR100GSR	M12 x 100mm
MR125GSR	M12 x 125mm
MR150GSR	M12 x 150mm



Munsen Rings - Brass

Code	Dimensions
MR15BSR	M10 x 15mm
MR22BSR	M10 x 22mm
MR28BSR	M10 x 28mm
MR35BSR	M10 x 35mm
MR42BSR	M10 x 42mm
MR54BSR	M10 x 54mm
MR67BSR	M12 x 67mm
MR76BSR	M12 x 76mm
MR108BSR	M12 x 108mm
MR133BSR	M12 x 133mm
MR159BSR	M12 x 159mm



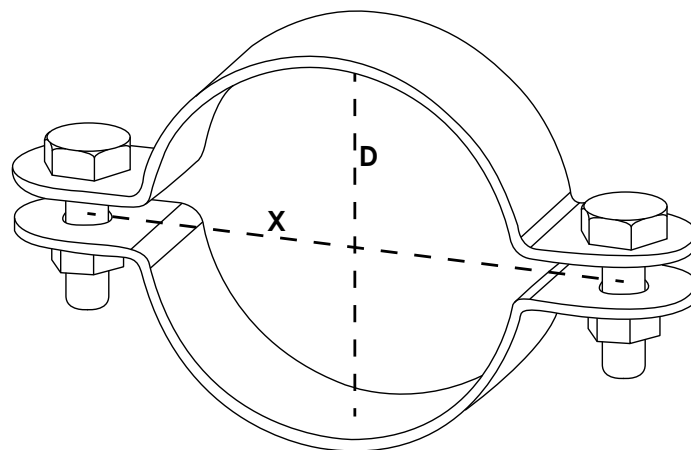
Double Munsen Ring - Brass

Code	Dimensions
MR15BDR	M10 x 15mm
MR22BDR	M10 x 22mm
MR28BDR	M10 x 28mm
MR35BDR	M10 x 35mm
MR42BDR	M10 x 42mm
MR54BDR	M10 x 54mm
MR67BDR	M10 x 67mm
MR76BDR	M10 x 76mm
MR108BDR	M10 x 108mm
MR133BDR	M10 x 133mm
MR159BDR	M10 x 159mm



BRACKETS & SUPPORTS

Split Band Clips

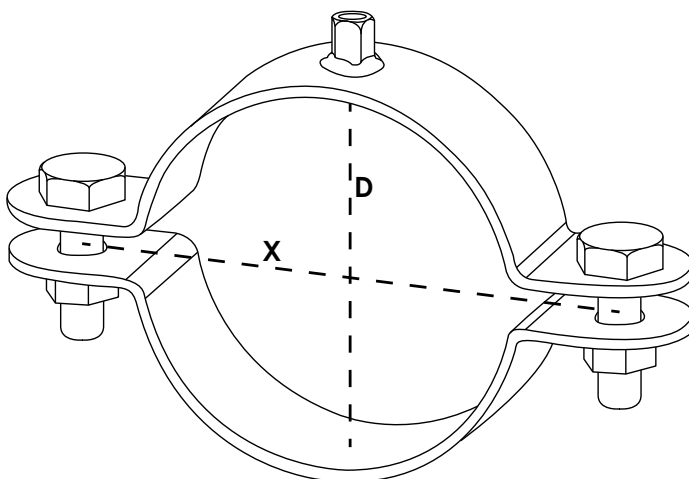


Split band clips are finished bright zinc plated as standard. Self colour, stainless steel and galvanised are available upon request

Code	Internal Diameter - D (mm)	Distance Between Holes - X (mm)	Bolt	Material (mm)
SBC053	53	100	M10 x 30	30 x 3
SBC056	56	110	M10 x 30	30 x 3
SBC063	63	114	M10 x 30	30 x 3
SBC070	70	124	M10 x 30	30 x 3
SBC076	76	129	M10 x 30	30 x 3
SBC083	83	138	M10 x 30	30 x 3
SBC089	89	140	M10 x 30	30 x 3
SBC096	96	148	M10 x 30	30 x 3
SBC103	103	159	M10 x 30	30 x 3
SBC109	109	168	M10 x 30	40 x 3
SBC114	114	172	M10 x 30	40 x 3
SBC117	117	175	M10 x 30	40 x 3
SBC122	122	179	M10 x 30	40 x 3
SBC127	127	189	M10 x 30	40 x 3
SBC132	132	193	M10 x 30	40 x 3
SBC139	139	200	M10 x 30	40 x 3
SBC143	143	203	M10 x 30	40 x 3
SBC148	148	211	M10 x 30	40 x 3
SBC152	152	213	M10 x 30	40 x 3
SBC155	155	217	M12 x 40	40 x 3
SBC159	159	225	M12 x 40	40 x 3
SBC168	168	235	M12 x 40	40 x 3
SBC172	172	240	M12 x 40	40 x 3
SBC180	180	253	M12 x 40	40 x 3
SBC183	183	258	M12 x 40	40 x 5
SBC190	190	260	M12 x 40	40 x 5
SBC193	193	265	M12 x 40	40 x 5
SBC196	196	269	M12 x 40	40 x 5
SBC202	202	270	M12 x 40	40 x 5
SBC205	205	275	M12 x 40	40 x 5
SBC212	212	282	M12 x 40	40 x 5
SBC216	216	287	M12 x 40	40 x 5
SBC220	220	294	M12 x 40	40 x 5
SBC225	225	299	M12 x 40	40 x 5
SBC232	232	306	M12 x 40	40 x 5
SBC236	236	310	M12 x 40	40 x 5
SBC240	240	317	M12 x 40	40 x 5
SBC250	250	324	M12 x 40	40 x 5
SBC260	260	335	M12 x 40	40 x 5
SBC270	270	344	M12 x 40	40 x 5
SBC280	280	376	M16 x 50	50 x 6
SBC302	302	390	M16 x 50	50 x 6
SBC320	320	424	M16 x 50	50 x 6

Bossed Split Band Clips

Other clip and boss sizes are available upon request

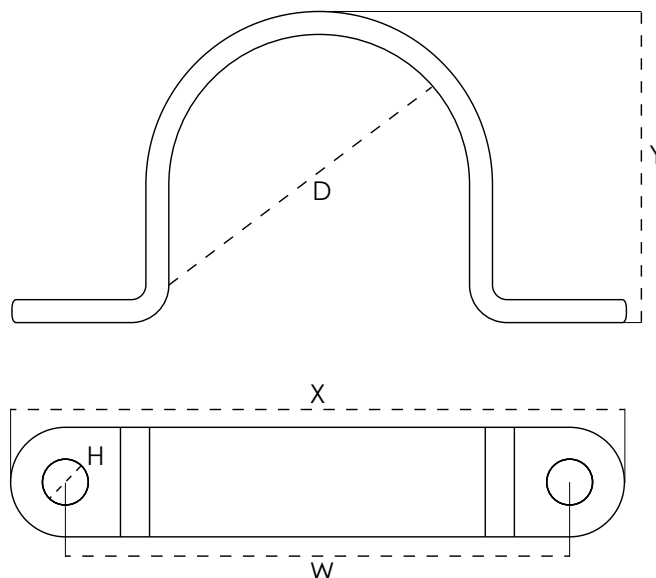


Code	Internal Diameter - D (mm)	Distance Between Holes - X (mm)	Bolt	Material (mm)	Boss Size (mm)
SBB053	53	100	M10 x 30	30 x 3	10/12
SBB056	56	110	M10 x 30	30 x 3	10/12
SBB063	63	114	M10 x 30	30 x 3	10/12
SBB070	70	124	M10 x 30	30 x 3	10/12
SBB076	76	129	M10 x 30	30 x 3	10/12
SBB083	83	138	M10 x 30	30 x 3	10/12
SBB089	89	140	M10 x 30	30 x 3	10/12
SBB096	96	148	M10 x 30	30 x 3	10/12
SBB103	103	159	M10 x 30	30 x 3	10/12
SBB109	109	168	M10 x 30	40 x 3	10/12
SBB114	114	172	M10 x 30	40 x 3	10/12
SBB117	117	175	M10 x 30	40 x 3	10/12
SBB122	122	179	M10 x 30	40 x 3	10/12
SBB127	127	189	M10 x 30	40 x 3	10/12
SBB132	132	193	M10 x 30	40 x 3	10/12
SBB139	139	200	M10 x 30	40 x 3	10/12
SBB143	143	203	M10 x 30	40 x 3	10/12
SBB148	148	211	M10 x 30	40 x 3	10/12
SBB152	152	213	M10 x 30	40 x 3	10/12
SBB155	155	217	M12 x 40	40 x 3	10/12
SBB159	159	225	M12 x 40	40 x 3	10/12
SBB168	168	235	M12 x 40	40 x 3	10/12
SBB172	172	240	M12 x 40	40 x 3	10/12
SBB180	180	253	M12 x 40	40 x 3	10/12
SBB183	183	258	M12 x 40	40 x 5	10/12
SBB190	190	260	M12 x 40	40 x 5	10/12
SBB193	193	265	M12 x 40	40 x 5	10/12
SBB196	196	269	M12 x 40	40 x 5	10/12
SBB202	202	270	M12 x 40	40 x 5	10/12
SBB205	205	275	M12 x 40	40 x 5	10/12
SBB212	212	282	M12 x 40	40 x 5	10/12
SBB216	216	287	M12 x 40	40 x 5	10/12
SBB220	220	294	M12 x 40	40 x 5	10/12
SBB225	225	299	M12 x 40	40 x 5	10/12
SBB232	232	306	M12 x 40	40 x 5	10/12
SBB236	236	310	M12 x 40	40 x 5	10/12
SBB240	240	317	M12 x 40	40 x 5	10/12
SBB250	250	324	M12 x 40	40 x 5	10/12
SBB260	260	335	M12 X 40	40 X 5	10/12
SBB270	270	344	M12 X 40	40 X 5	10/12

BRACKETS & SUPPORTS

Saddle Brackets

Saddle anchors fit tight to pipe/insulation, whereas saddle guides are built with clearance to allow movement.



Saddle Anchors

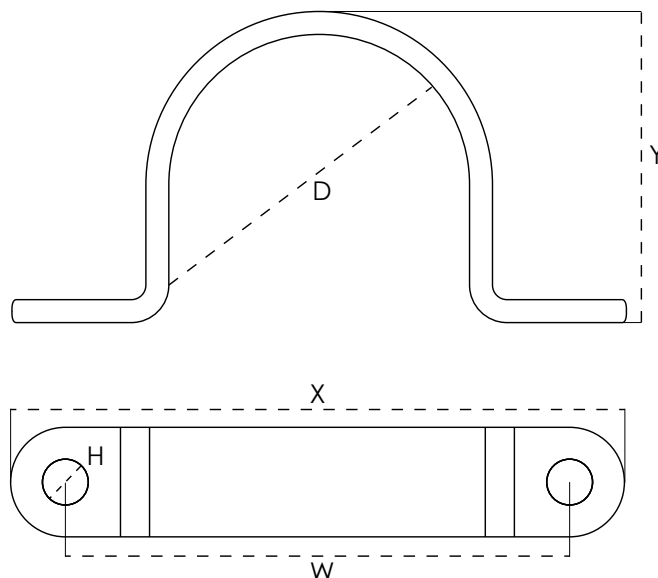
Code	Internal Diameter - D (mm)	Overall Length - X (mm)	Overall Height - Y (mm)	Hole Size - H (mm)	Distance Between Holes - W (mm)	Material (mm)
SA021	21	86	22	7	60	25 x 3
SA027	27	97	28	7	71	25 x 3
SA034	34	100	35	7	74	25 x 3
SA042	42	126	43	11	94	30 x 3
SA048	48	136	49	11	104	30 x 3
SA060	60	146	61	11	114	30 x 3
SA076	76	182	77	14	142	40 x 3
SA089	89	194	89	14	154	40 x 3
SA114	114	224	114	14	184	40 x 3
SA140	140	259	142	14	219	40 x 5
SA168	168	284	171	14	244	40 x 5

Saddle Guides

Code	Internal Diameter - D (mm)	Overall Length - X (mm)	Overall Height - Y (mm)	Hole Size - H (mm)	Distance Between Holes - W (mm)	Material (mm)
SG024	24	92	26	7	66	25 x 3
SG030	30	103	32	7	77	25 x 3
SG037	37	106	39	7	80	25 x 3
SG046	46	132	47	11	100	30 x 3
SG054	54	142	55	11	110	30 x 3
SG064	64	152	65	11	120	30 x 3
SG082	82	188	81	14	148	40 x 3
SG095	95	200	95	14	160	40 x 3
SG120	120	230	120	14	190	40 x 3
SG146	146	265	148	14	225	40 x 5
SG176	176	290	178	14	250	40 x 5

Nylon Coated Saddle Brackets

Nylon coated saddle brackets and anchors are for use on copper pipe to prevent oxidation with steel.



Nylon Coated Saddle Anchors

Code	Internal Diameter - D (mm)	Overall Length - X (mm)	Overall Height - Y (mm)	Hole Size - H (mm)	Distance Between Holes - W (mm)	Material (mm)
SAN015	15	80	17	7	54	25 x 3
SAN022	22	92	24	7	66	25 x 3
SAN028	28	95	30	7	69	25 x 3
SAN035	35	113	36	7	87	25 x 3
SAN042	42	128	43	11	96	30 x 3
SAN054	54	140	55	11	108	30 x 3
SAN066	66	172	67	14	132	40 x 3
SAN076	76	180	77	14	140	40 x 3
SAN108	108	216	109	14	176	40 x 3
SAN133	133	250	135	14	210	40 x 5
SAN159	160	270	161	14	230	40 x 5

Nylon Coated Saddle Guides

Code	Internal Diameter - D (mm)	Overall Length - X (mm)	Overall Height - Y (mm)	Hole Size - H (mm)	Distance Between Holes - W (mm)	Material (mm)
SGN017	15	86	19	7	60	25 x 3
SGN024	22	98	26	7	72	25 x 3
SGN030	28	101	32	7	75	25 x 3
SGN038	35	109	40	7	83	25 x 3
SGN045	42	134	47	11	102	30 x 3
SGN058	54	146	59	11	114	30 x 3
SGN070	66	178	71	11	138	30 x 3
SGN080	76	186	81	14	146	40 x 3
SGN112	108	222	113	14	182	40 x 3
SGN140	133	256	141	14	216	40 x 5
SGN165	159	276	167	14	236	40 x 5