

BIG FOOT ROOF SYSTEMS

H Frame Sets

Code	Description
BF305	305mm Feet
BF450	450mm Feet
BF600	600mm Feet

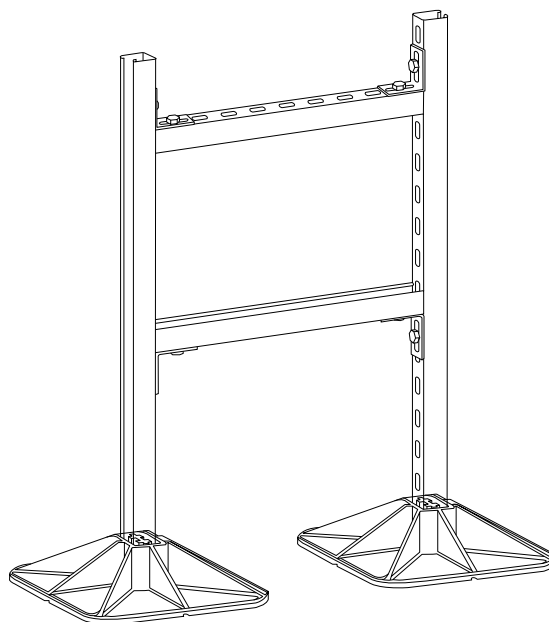
305mm Details

Each 305mm Pack Includes:

Feet with adhered mat	2
Brackets and fixings	4
Assembly instructions	1

305mm Technical Details

Foot Size (mm)	305
Max Load Per Frame (Kg)	300
Allowable Strut Sizes (mm)	41 x 41 & 41 x 21



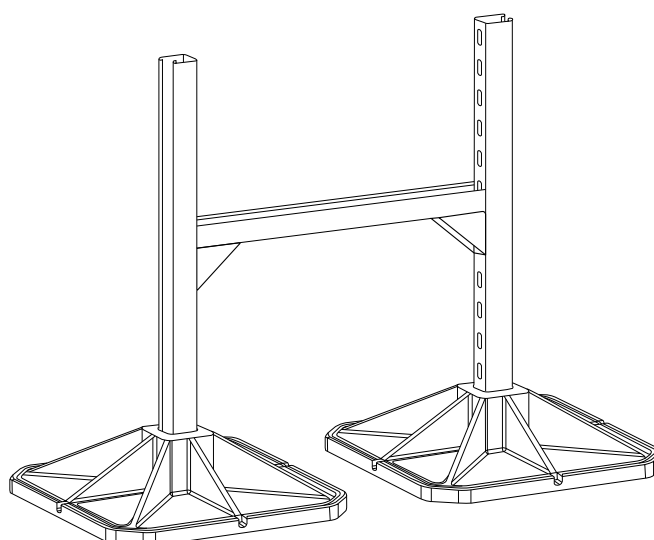
450mm Details

Each 450mm Pack Includes:

Plastic Feet	2
Rubber Mats	2
Insert	2
Brackets and fixings	2
Assembly instructions	1

450mm Technical Details

Foot Size (mm)	450
Max Load Per Frame (Kg)	500
Allowable Strut Sizes (mm)	41 x 41



600mm Details

Each 600mm Pack Includes:

Plastic Feet	2
Rubber Mats	2
Insert	2
Brackets and fixings	2
Assembly instructions	1

600mm Technical Details

Foot Size (mm)	600
Max Load Per Frame (Kg)	500
Allowable Strut Sizes (mm)	41 x 41

Please note that Big Foot H Frame systems are not supplied with strut. However, we can supply required parts upon request.

Fix-It Foot

Code	Description
FIF250	250mm Long
FIF400	400mm Long
FIF600	600mm Long
FIF1000	1000mm Long

250m Fix-It Foot Details

Height (mm)	95
Width (mm)	180
Length (mm)	250
Max load per foot (kg)	82

400m Fix-It Foot Details

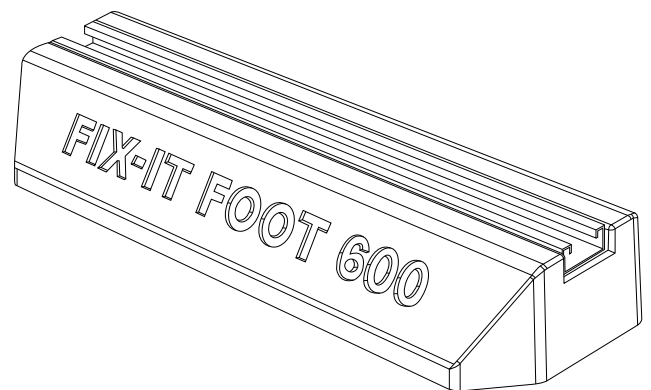
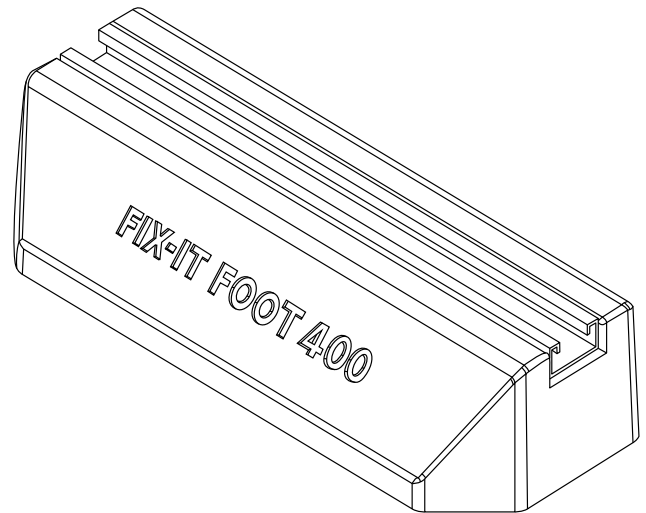
Height (mm)	95
Width (mm)	180
Length (mm)	400
Max load per foot (kg)	128

600m Fix-It Foot Details

Height (mm)	95
Width (mm)	180
Length (mm)	600
Max load per foot (kg)	224

1000m Fix-It Foot Details

Height (mm)	95
Width (mm)	180
Length (mm)	1000
Max load per foot (kg)	295



Please note that Fix-It Feet are not supplied with fixings or fittings. However, we can supply required parts upon request.