

# ANTI VIBRATION & BELLOWS

## Neoprene Bonded Cork Board

Comes in 6mm or 12mm thickness, width and length cut to specifications. Full 1000 x 1000mm sheets are also available on request. Thicker varieties also available.



Code	Dimensions
NBC06NXN	6mm Thick - Various Dimensions
NBC06X1000	6 x 1000 x 1000mm Board
NBC12NXN	12mm Thick - Various Dimensions
NBC12X1000	12 x 1000 x 1000mm Board

## Rubber Turret Mounts

Turrets are moulded from a range of natural rubbers in different sizes (denoted by colour sticker). Load ratings for turrets range from 5Kg to 400Kg.

Code	Rated Load (Kg)	Deflection at Load (mm)
<b>Small</b>		
RMTYS	28	6
RMTBS	50	6
RMTRS	80	6
<b>Medium</b>		
RMTYM	110	8
RMTBM	180	8
RMTRM	280	8
<b>Large</b>		
RMTYL	150	8
RMTBL	260	8
RMTRL	400	8

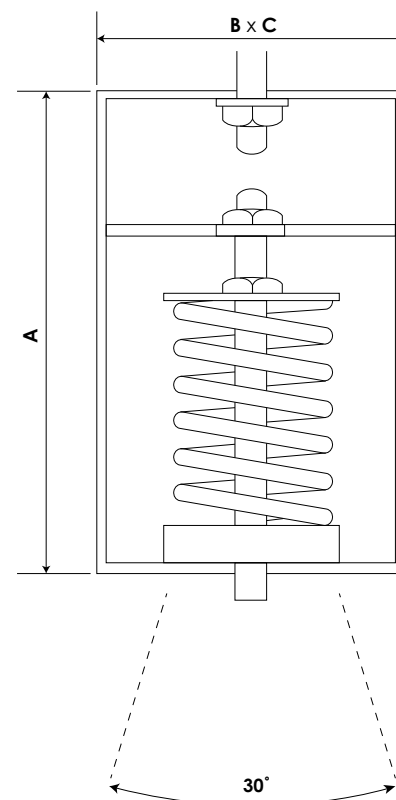


## Spring Hangers

Spring Hangers incorporate a helical steel spring and seat to eliminate any high frequency vibrations. Suitable for outside use. Can be installed via drop rod or directly to a supporting structure.

Product Code	Weight Range (Kg)	Nominal Deflection (mm)	A (mm)	B (mm)	C (mm)	Drop Rod Size
PPS/0/50P	11 - 23	30	200	100	80	M12
PPS/0/80P	18 - 37	30	200	100	80	M12
PPS/0/130P	30 - 60	30	200	100	80	M12
PPS/0/200P	45 - 91	30	200	100	80	M12
PPS/0/300P	68 - 137	30	200	100	80	M12
PPS/0/500P	114 - 228	30	200	100	80	M12
PPS/0/630P	143 - 287	30	200	100	80	M12
PPS/0/800P	182 - 364	30	200	100	80	M12
PPS/0/1100P	250 - 500	30	200	100	80	M12
PPS/1/425P	97 - 194	30	250	150	100	M16
PPS/1/600P	136 - 273	30	250	150	100	M16
PPS/1/750P	170 - 341	30	250	150	100	M16
PPS/1/1000P	227 - 455	30	250	150	100	M16
PPS/1/1400P	318 - 637	30	250	150	100	M16
PPS/1/1700P	386 - 773	30	250	150	100	M16
PPS/1/2000P	455 - 910	30	250	150	100	M16
PPS/1/2400P	545 - 1091	30	250	150	100	M16

Load take off and mark up drawing services available upon request

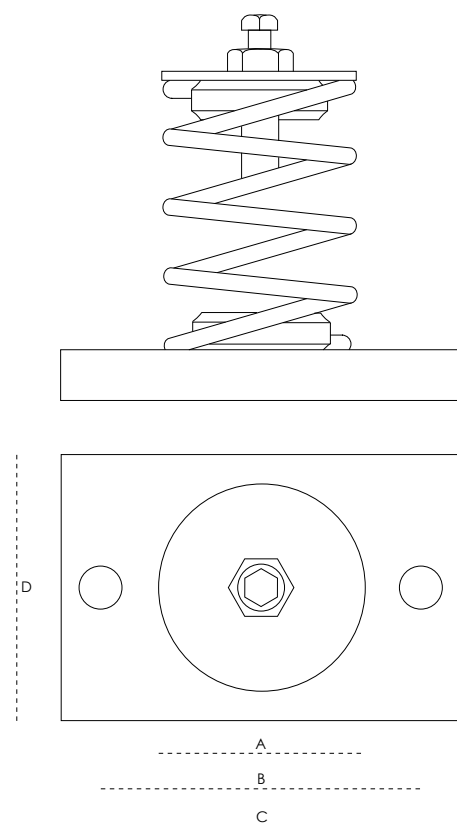


## Open Spring Mounts

Open Spring Mounts incorporate a neoprene base to eliminate high frequency vibration. Standard zinc plated finish, passivated for external use.

Product Code	Weight Range (Kg)	Nominal Deflection (mm)	A (mm)	B (mm)	C (mm)	D (mm)
OSM23	11 - 23	30	70	92	130	80
OSM37	18 - 37	30	70	92	130	80
OSM60	30 - 60	30	70	92	130	80
OSM91	45 - 91	30	70	92	130	80
OSM137	68 - 137	30	70	92	130	80
OSM228	114 - 228	30	70	92	130	80
OSM287	143 - 287	30	70	92	130	80
OSM364	182 - 364	30	70	92	130	80
OSM500	250 - 500	30	70	92	130	80
OSM194	97 - 194	30	87	120	185	90
OSM273	136 - 273	30	87	120	185	90
OSM341	170 - 341	30	87	120	185	90
OSM455	227 - 455	30	87	120	185	90
OSM637	318 - 637	30	87	120	185	90
OSM773	386 - 773	30	87	120	185	90
OSM910	455 - 910	30	87	120	185	90
OSM1091	545 - 1091	30	87	120	185	90

Load take off and mark up drawing services available upon request



# ANTI VIBRATION & BELLOWS

## Untied Rubber Bellows

Unit comes with nylon reinforced body and steel reinforced collar. Fitted with zinc laced carbon steel swivel flanges.



Code	NB (mm)	Installed Length (mm)	Compression (mm)	Extension (mm)	Lateral (mm)	Angular (°)
UTB/16/25	25	130	13	9	13	15
UTB/16/32	32	130	13	9	13	15
UTB/16/40	40	130	13	9	13	15
UTB/16/50	50	130	13	9	13	15
UTB/16/65	65	130	13	9	13	15
UTB/16/80	80	130	13	9	13	15
UTB/16/100	100	130	13	9	13	15
UTB/16/125	125	130	13	9	13	15
UTB/16/150	150	130	13	9	13	15
UTB/16/200	200	130	13	9	13	15
UTB/16/250	250	130	13	9	13	15
UTB/16/300	300	130	13	9	13	15

Technical specification sheets available upon request

## Tied Rubber Bellows

Unit comes with nylon reinforced body and steel reinforced collar. Fitted with zinc plated carbon steel oval flanges. Complete with fully threaded tie bars and rubber top hat washers.



Product Code	NB (mm)	Installed Length (mm)	Tie Bars	Lateral (°)
ETB/16/25	25	130	2	13
ETB/16/32	32	130	2	13
ETB/16/40	40	130	2	13
ETB/16/50	50	130	2	13
ETB/16/65	65	130	2	13
ETB/16/80	80	130	2	13
ETB/16/100	100	130	2	13
ETB/16/125	125	130	2	13
ETB/16/150	150	130	2	13
ETB/16/200	200	130	2	13
ETB/16/250	250	130	2	13
ETB/16/300	300	130	2	13

Technical specification sheets available upon request

## Stainless Steel Tied Pump Connector

Unit consists of multi-ply stainless steel bellow assembly and mating surfaces. Fitted with zinc plated carbon steel van stone oval flanges. Complete with fully threaded tie bars and rubber top hat washers.



Code	NB (mm)	Installed Length (mm)	Axial Movement (+/- mm)	Lateral Movement (+/-mm)	Max Working Pressure (bar)	Max Cold Test Pressure (bar)
STB/16/32	32	130	3	2	16	24
STB/16/40	40	130	3	2	16	24
STB/16/50	50	130	3	2	16	24
STB/16/65	65	130	3	2	16	24
STB/16/80	80	130	3	2	16	24
STB/16/100	100	130	3	2	16	24
STB/16/125	125	130	3	2	16	24
STB/16/150	150	130	3	2	16	24
STB/16/200	200	200	3	2	16	24
STB/16/250	250	200	3	2	16	24
STB/16/300	300	200	3	2	16	24

Technical specification sheets available upon request

## Stainless Steel Flanged Pump Connector

Unit consists of stainless steel convoluted hose, complete with stainless steel outer protective braid. Fitted with fixed carbon steel flanges.



Code	NB (mm)	Installed Length (mm)	Movement +/- (mm)	Max Working Pressure (bar) @ 120°	Test Pressure (Bar)
SPC/16/15	15	220	2	16	24
SPC/16/20	20	220	2	16	24
SPC/16/25	25	250	2	16	24
SPC/16/32	32	300	2	16	24
SPC/16/40	40	300	2	16	24
SPC/16/50	50	300	2	16	24
SPC/16/65	65	300	2	16	24
SPC/16/80	80	300	2	16	24
SPC/16/100	100	300	2	10	15
SPC/16/125	125	300	2	10	15
SPC/16/150	150	350	2	6	9

Technical specification sheets available upon request

# ANTI VIBRATION & BELLOWS

## Fan Coil Hose

Unit consists of EPDM liner. Complete with grade 304L stainless steel overbraid and ferrules. Fitted with fixed male BSPT swivel female BSPP nickel plated brass end connections. Complete with washer.



Product Code	NB (mm)	Internal Diameter of Hose (mm)	Internal Diameter of Conns. (mm)	Max Working Pressure (bar)	Test Pressure - Cold (bar)	Bend Radius (mm)
<b>Non-Insulated 150mm Length</b>						
FCH/15/150	15	13	10	15	22.5	60
FCH/20/150	20	19	16	10	15	80
FCH/25/150	25	25	20	10	15	100
<b>Non-Insulated 200mm Length</b>						
FCH/15/200	15	13	10	15	22.5	60
FCH/20/200	20	19	16	10	15	80
FCH/25/200	25	25	20	10	15	100
<b>Non-Insulated 300mm Length</b>						
FCH/15/300	15	13	10	15	22.5	60
FCH/20/300	20	19	16	10	15	80
FCH/25/300	25	25	20	10	15	100
<b>Insulated 150mm Length</b>						
FCH/15/150I	15	13	10	15	22.5	60
FCH/20/150I	20	19	16	10	15	80
FCH/25/150I	25	25	20	10	15	100
<b>Insulated 200mm Length</b>						
FCH/15/200I	15	13	10	15	22.5	60
FCH/20/200I	20	19	16	10	15	80
FCH/25/200I	25	25	20	10	15	100
<b>Insulated 300mm Length</b>						
FCH/15/300I	15	13	10	15	22.5	60
FCH/20/300I	20	19	16	10	15	80
FCH/25/300I	25	25	20	10	15	100

Technical specification sheets available upon request

## Rubber Sphere Bellows

Union ended rubber bellows consisting of nylon reinforced body with EPDM liner. Cover fitted with galvanised malleable iron. Female BSP union ends.



Product Code	NB (mm)	Min Install Length (mm)	Max Install Length (mm)	Min Working Cold Pressure (Bar)	Max Working Cold Pressure (Bar)
<b>Single Sphere Bellows</b>					
SSB20	20	193	203	10	15
SSB25	25	193	203	10	15
SSB32	32	193	203	10	15
SSB40	40	193	203	10	15
SSB50	50	193	203	10	15
<b>Twin Sphere Bellows</b>					
TSB20	20	193	203	10	15
TSB25	25	193	203	10	15
TSB32	32	193	203	10	15
TSB40	40	193	203	10	15
TSB50	50	193	203	10	15

Technical specification sheets available upon request





